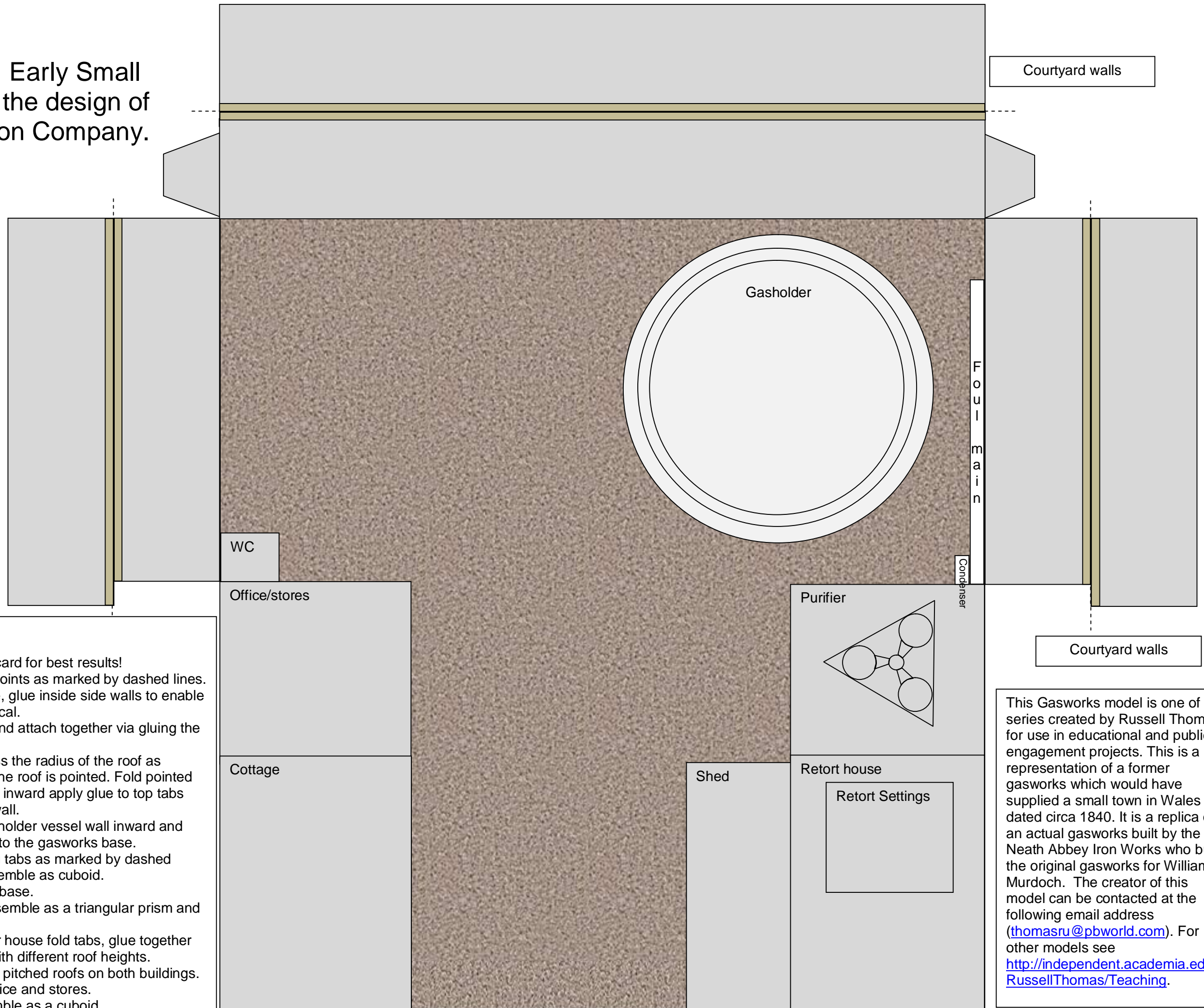


Gasworks Model 4. Early Small Town Gasworks of the design of the Neath Abbey Iron Company. Gasworks Base.



- Instructions - Part 1.
1. Print out all sections on firm A3 card for best results!
 2. Cut out gasworks base, fold all points as marked by dashed lines.
 3. Fold tabs at the back of the base, glue inside side walls to enable the sides and back to stand vertical.
 4. Cut out gasholder vessel walls and attach together via gluing the tab on left hand side of the tank.
 5. Cut out gasholder roof, cut across the radius of the roof as marked, assemble with glue so the roof is pointed. Fold pointed tabs on the roof of the gasholder inward apply glue to top tabs and attach to gasholder vessel wall.
 6. Fold tabs on the base of the gasholder vessel wall inward and apply glue so it can be attached to the gasworks base.
 7. Cut out Retort Setting, fold along tabs as marked by dashed lines, apply glue to tabs and assemble as cuboid.
 8. Glue Retort Setting to gasworks base.
 9. Purifier, cut out fold tabs and assemble as a triangular prism and attach to gasworks base.
 10. Cut out Retort house and purifier house fold tabs, glue together to give two adjoined buildings, with different roof heights.
 11. Cut out roofs and assemble as a pitched roofs on both buildings.
 12. Repeat for gasworks cottage, office and stores.
 13. Cut out WC fold, glue and assemble as a cuboid.
 14. Cut out shed, fold along dashed lines and glue together to form a lean to building. attach to base.

This Gasworks model is one of a series created by Russell Thomas for use in educational and public engagement projects. This is a representation of a former gasworks which would have supplied a small town in Wales dated circa 1840. It is a replica of an actual gasworks built by the Neath Abbey Iron Works who built the original gasworks for William Murdoch. The creator of this model can be contacted at the following email address (thomasru@pbworld.com). For other models see <http://independent.academia.edu/RussellThomas/Teaching>.

Gasworks Model 4. Buildings 1

Main Gates and Entrance

Retort house roof

Cottage roof

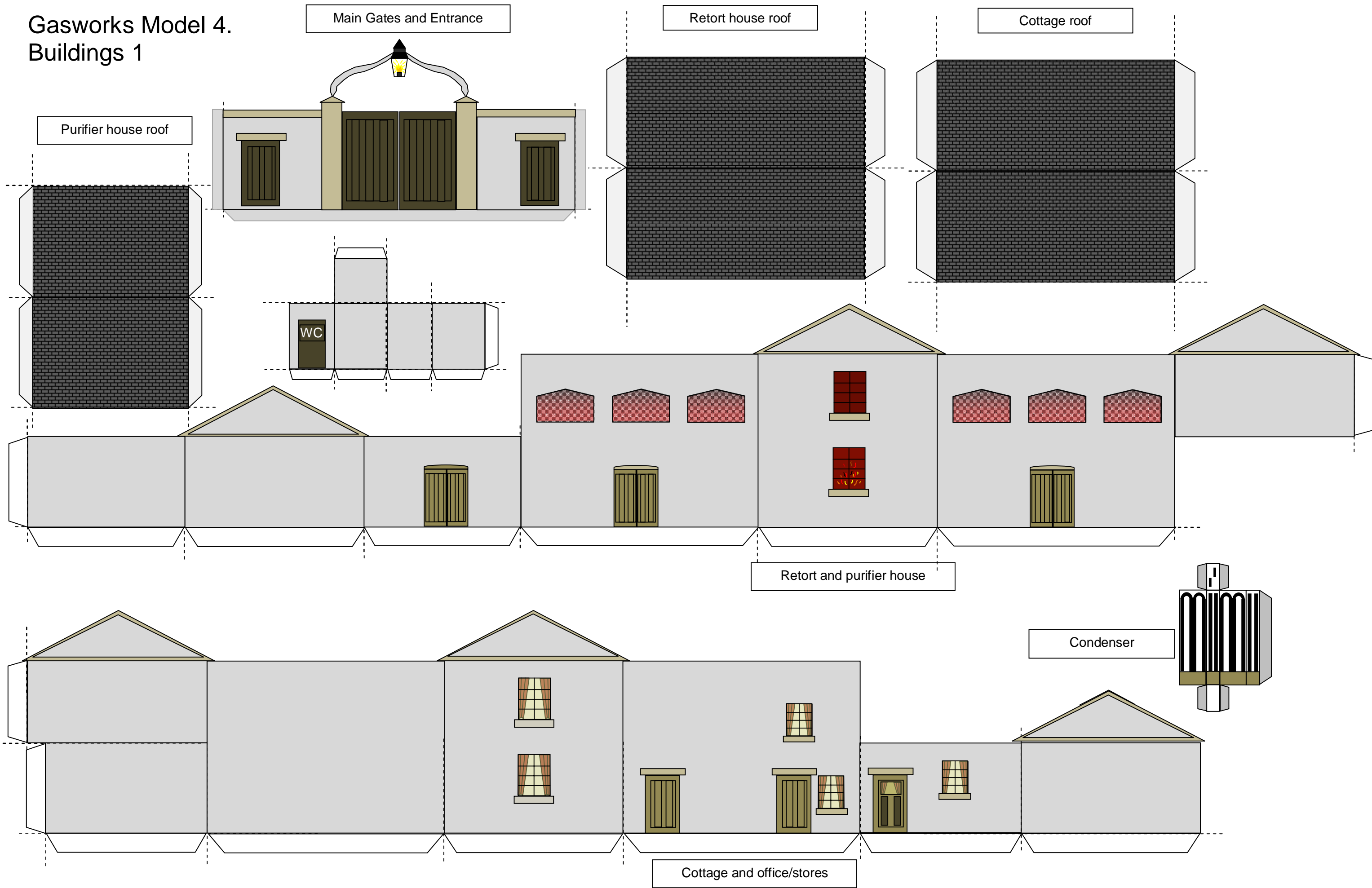
Purifier house roof

WC

Retort and purifier house

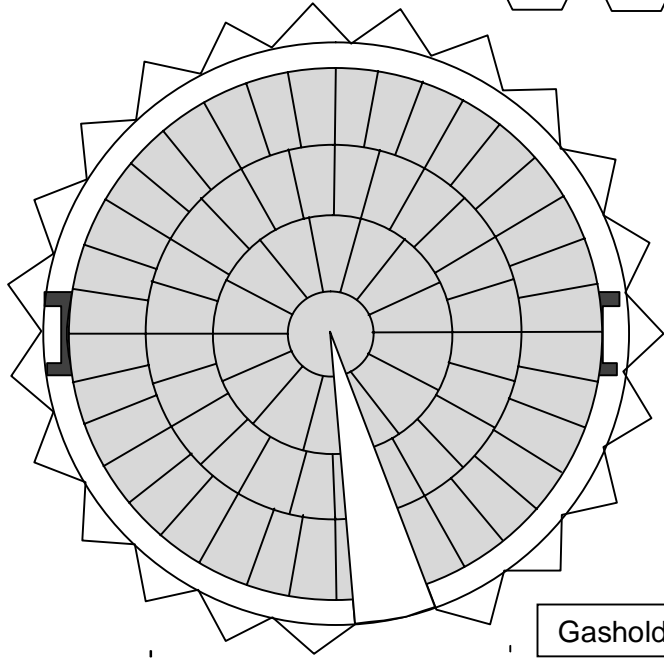
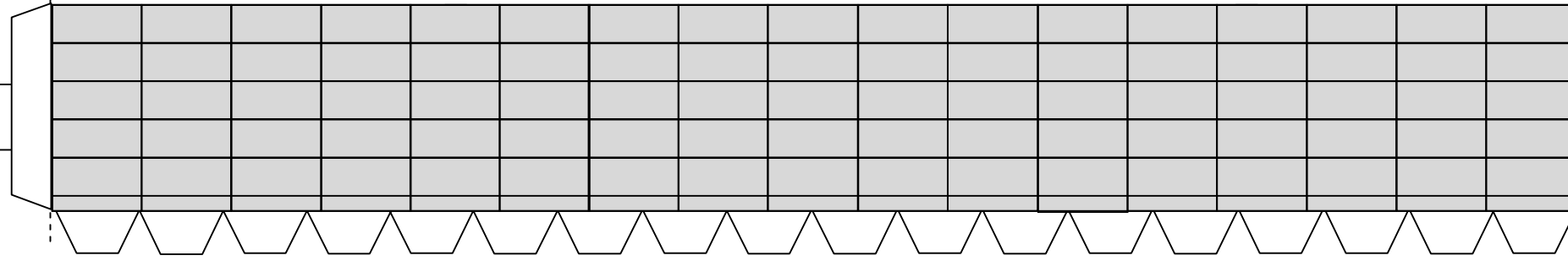
Condenser

Cottage and office/stores

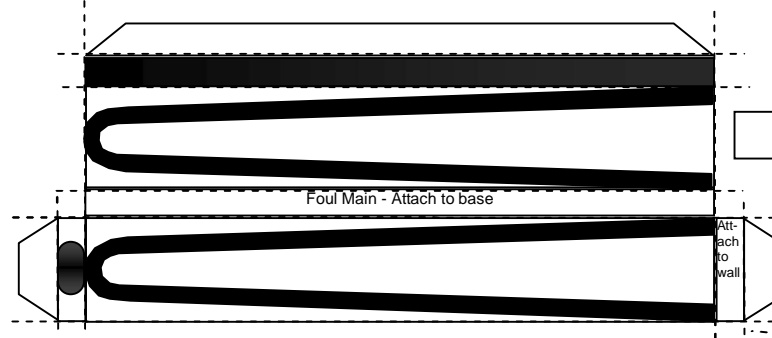


Gasworks Model 4. Buildings 2

Gasholder vessel wall



Gasholder Roof

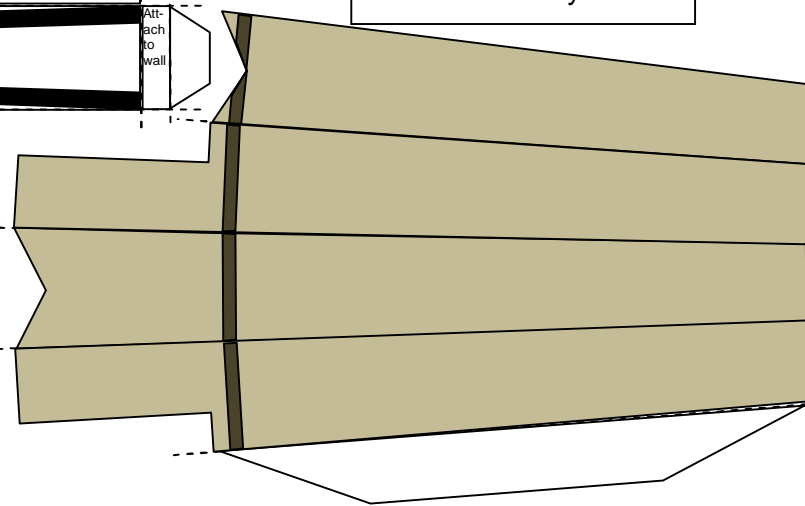


Foul Main

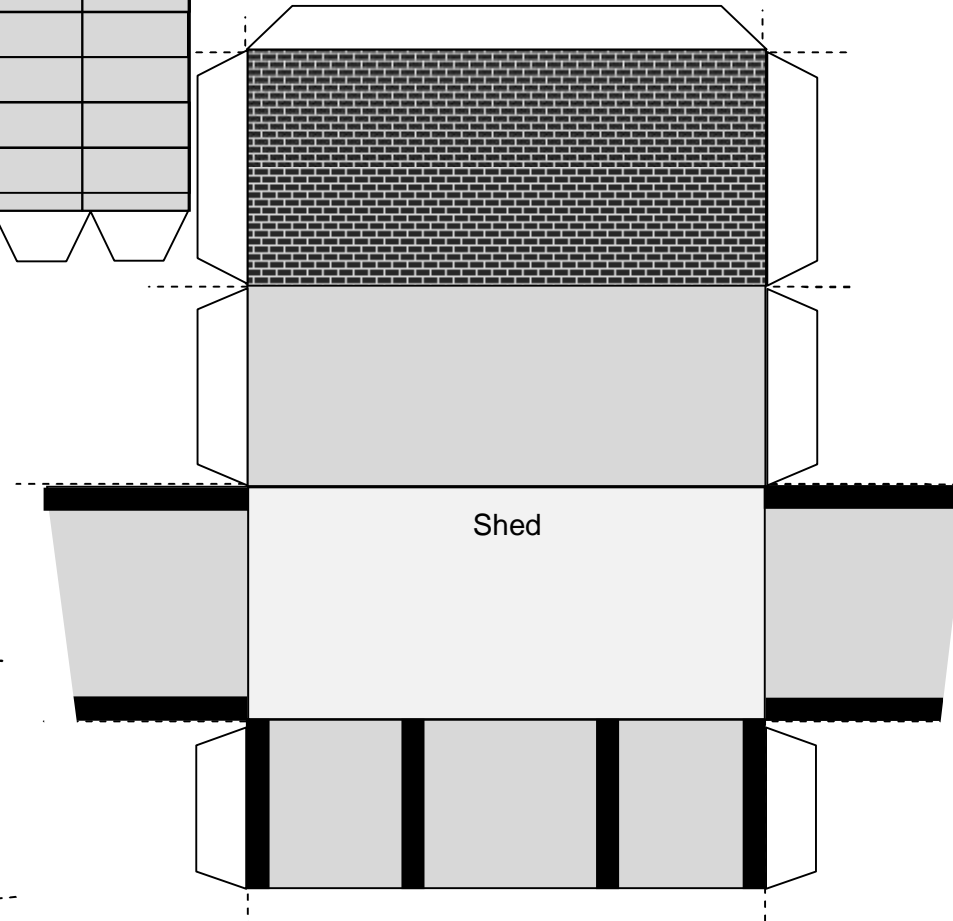
Foul Main - Attach to base

Att
ach
to
wall

Chimney



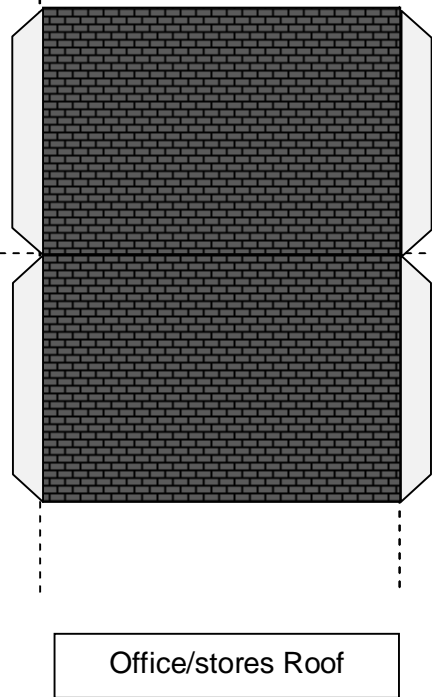
Shed



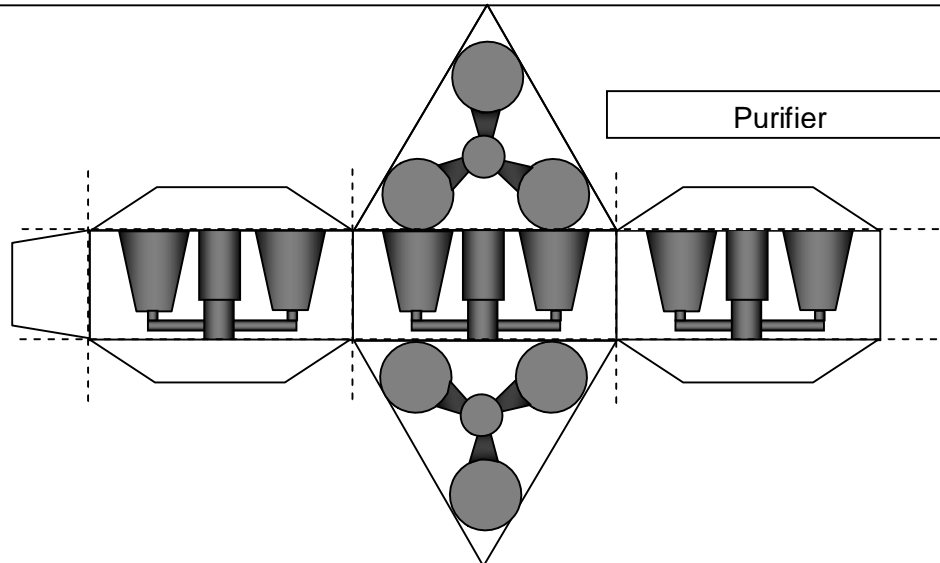
Instructions - Part 2.

1. Attach buildings to gasworks base.
2. Cut out Chimney, fold edges as marked and glue side tab to form chimney place on the retort house roof, overlapping the purifier house.
3. Cut out foul main and condenser, glue together using the end tabs, fold end tabs inwards and glue on the bottom and top as marked.
4. Attach foul main and condensers to gasworks base.
5. Cut out, fold tabs and glue entrance gate to gasworks base and buildings.

Office/stores Roof



Purifier



Retort settings, furnace,
accession pipes and
hydraulic main.

Retort Settings

